

SunRise

— LED Wallpack —



www.sunriseled.us



SunRise LED Wall Pack

- Applications: Commercial, residential areas, factories, parking lots.
- Modular LED structure of LED light source, maximum up to 90W.
- Optional accessories of photocell and infrared sensor.
- 10%, 30%, 60%, 100% dimming control for saving energy.
- Works as a security light after infrared sensor is installed.
- Different light distributions available.
- Working environment temperature: -40°C to 55°C
- Color: Bronze/ Metallic dark grey.

Photocell control for option. Enables to control on/off by sensing the environment brightness. Available to work independently or together with infrared sensor.

Aluminum alloy housing has high resistance to corrosion and weathering. IP 65

Concealed screw caps integrated with lamp housings.

Easy access door for changing driver and connecting wire.

Tool-free tether to anchor the fixture in place.

Special design wall bracket is provided for wall-mounting. Enables to adapted different standard wall boxes.

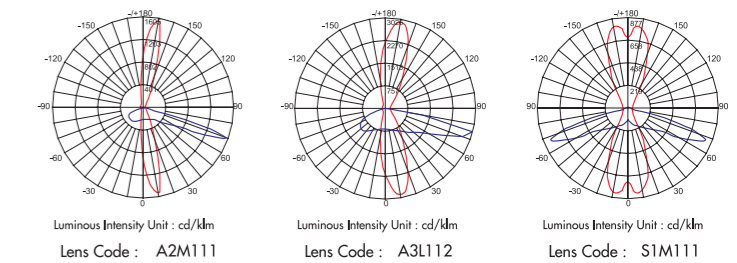
Saves more energy by using infrared sensor control. Intelligent light control system can adjust brightness at 10%, 30%, 60%, 100% or zero output. Detection range: 8-10M above ground level and maximum 10M away from the wall. Detection angle: 120°



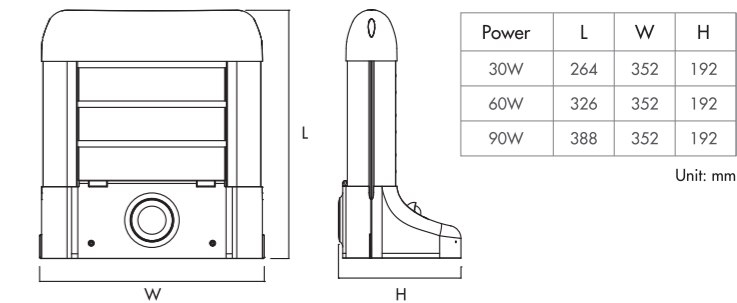
Technical Parameters

Power Consumption	LED Initial Flux	Color Temp	Power Efficiency	Net Weight
30W	2300lm	3985±275K	>91%	4.9Kg
60W	4800lm	3985±275K	>91%	6.3Kg
90W	7500lm	3985±275K	>91%	7.7Kg

Light Distribution Curve



Product Dimension



Appearance

